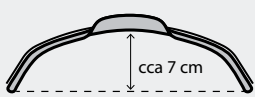
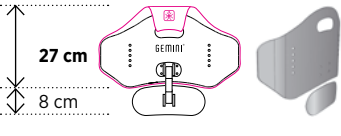
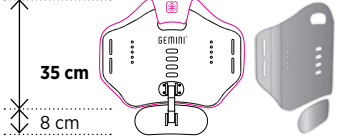
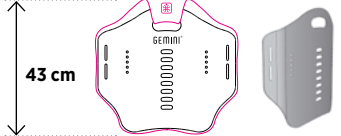


ORDER / Anatomic backrest GEMINI TWIN

Completed order deliver, please, to your GEMINI® Seat. Tech. dealer, or directly to the e-mail: objednavky@geminisystem.cz.
Please, fill out questionnaire legibly and carefully! In case of doubt, please contact your dealer or directly the manufacturer.

CLIENT			
Name			objednávka č. (Order No.)
Contact	Address:		
	Email:		Phone.:
Delivery	<input type="checkbox"/> Backrest will be delivered with wheelchair (delivery to the wheelchair's dealer address).		Shipping date:
	<input type="checkbox"/> Backrest will be delivered alone - to address: <input type="checkbox"/> of client <input type="checkbox"/> other: _____		

Backrests height (incl. cover)		<input type="checkbox"/> small S (27 cm)	<input type="checkbox"/> medium M (35 cm)	<input type="checkbox"/> large L (43 cm)
Contouring				
Lumbar support*		✓ (incl.)	✓ (incl.)	-
Backrest width (incl. cover)				
Wheelchair width: (the outside of backrests tubes)	26 - 32 cm	<input type="checkbox"/> 28 cm	<input type="checkbox"/> 28 cm	-
	30 - 34 cm	<input type="checkbox"/> 32 cm	<input type="checkbox"/> 32 cm	<input type="checkbox"/> 32 cm
	34 - 38 cm	<input type="checkbox"/> 36 cm	<input type="checkbox"/> 36 cm	<input type="checkbox"/> 36 cm
	38 - 42 cm	<input type="checkbox"/> 40 cm	<input type="checkbox"/> 40 cm	<input type="checkbox"/> 40 cm
	42 - 47 cm	<input type="checkbox"/> 44 cm	<input type="checkbox"/> 44 cm	<input type="checkbox"/> 44 cm
	46 - 50 cm	<input type="checkbox"/> 48 cm	<input type="checkbox"/> 48 cm	<input type="checkbox"/> 48 cm
Accessories				
Lateral supports (pair):		-	<input type="checkbox"/>	<input type="checkbox"/>
„Be Seen Line“ cover:**		<input type="checkbox"/>	<input type="checkbox"/>	<input type="checkbox"/>

* Backrest GEMINI TWIN can be use without (removable) lumbar support.

** Be Seen Line is backrest with active strong-light band placed in backrest's cover incl. Power Bank ONPOWER - can be used as standard powerbank too.

PRICE	price
<input type="checkbox"/> Backrest	
<input type="checkbox"/> Lateral supports	
<input type="checkbox"/> Be Seen Line	
<input type="checkbox"/> Shipping Costs	
Final price	

Order date

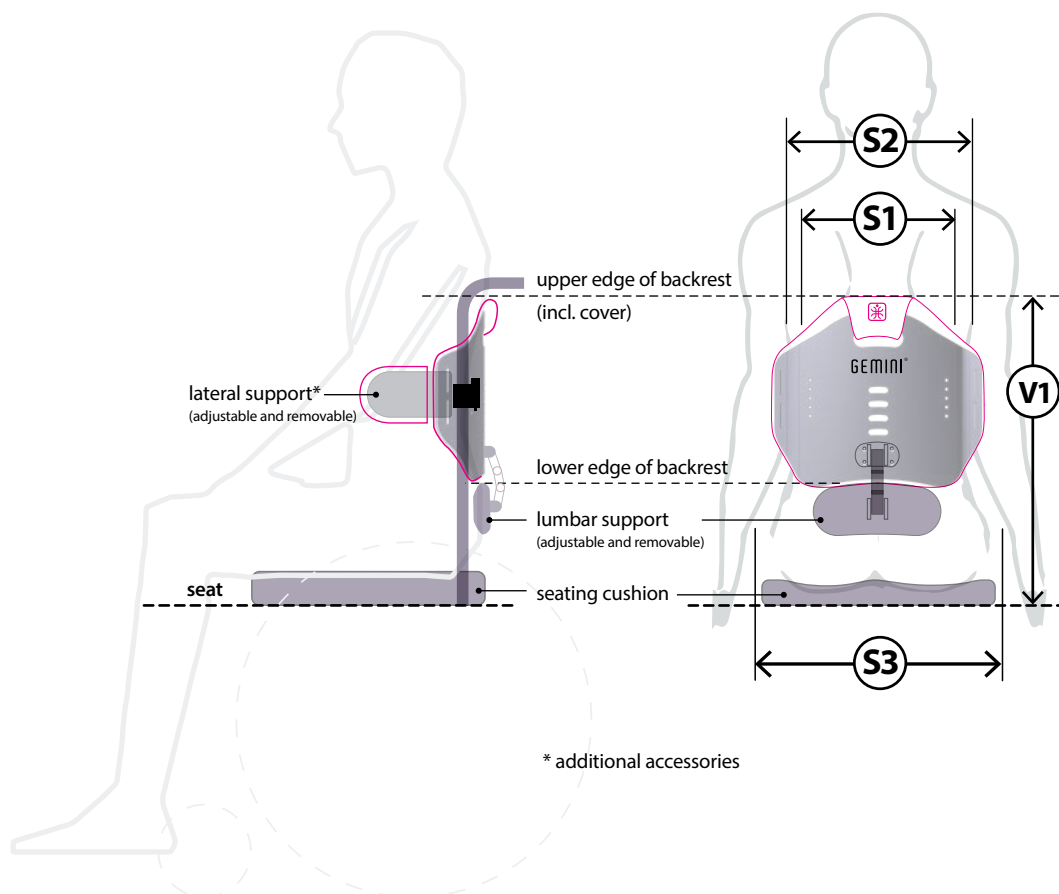
Client signature

clear the form

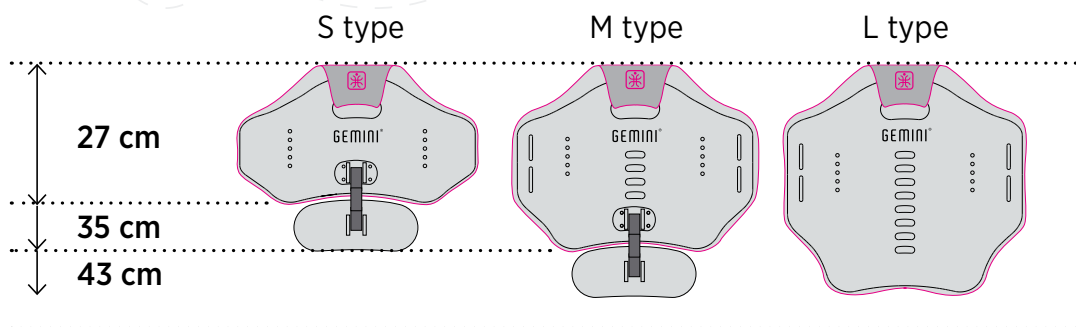
print the form

save the form

send form by email



* additional accessories



PARAMETER		cm
S1	width - waist	
S2	width - armpit	
S3	wheelchair width (outside of the tubes)	
V1	height of the backrests upper edge (from seat)*:	
	other dimension, parameters or information, (or draw it to the picture):	

* Parameter „V“ - include cushion height!